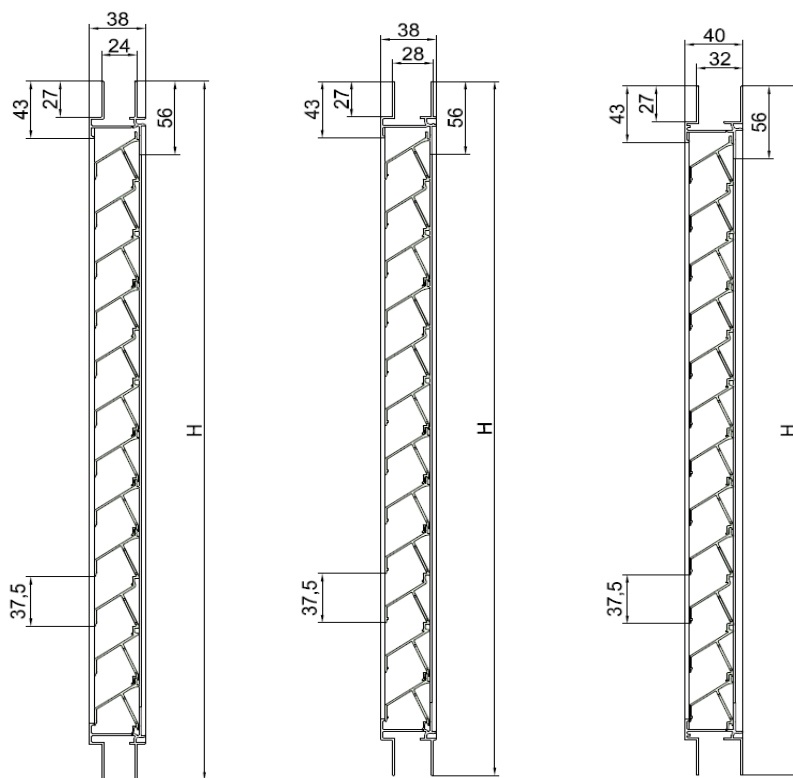


TECHNICAL DATA SHEET

TYPE	DUCOGRILLE SOLID DGS F30Z P2
DESCRIPTION	Louvre with equal leg frame and punched blades, applicable in Aluminium, PVC or timber windows
SHAPE OF THE BLADE	30Z punched blades (P2) height 21mm x width 18mm
VISUAL FREE AREA	86% per meter punching
PHYSICAL FREE AREA	48%
PITCH	37,5 mm
DEPTH	F30/24 = 24mm F30/28 = 28mm F30/32 = 32mm
MAX. BLADE LENGTH	6000 mm
WIDTH OF FRAME	38 mm / 40mm
MESH	Aluminium extrusions are perforated and act as bird mesh + insect screen 2,3x2,3mm in stainless steel (6x6mm on request)
MATERIAL	Aluminium : Al Mg Si 0,5 Profile thickness : min. 1,5mm Surface : standard aluminium anodised (15-20µm) Treatment : polyester powder coated (60-80µm)
COLOURS	All RAL colours

K-factor	
Intake	12,85
Ce:	0,28
Exhaust	12,90
Cd:	0,28

Watertightness	
v (m/s)	Class
0	B (96,09%)
0,5	B (95,90%)
1	C (93,53%)
1,5	C (87,57%)
2	D (67,25%)
2,5	D



F 30/24

F 30/28

F 30/32